

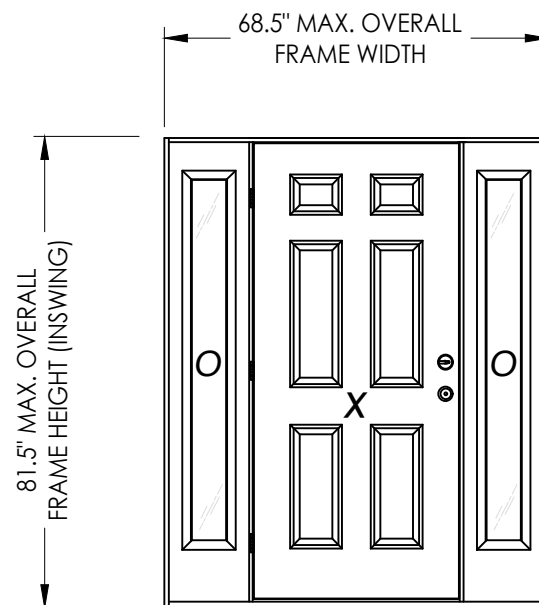
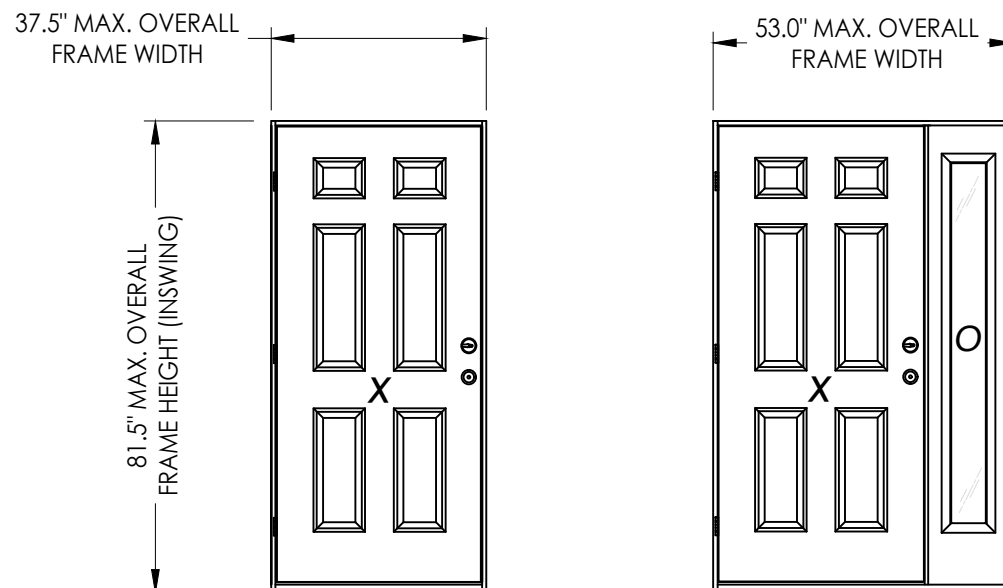


# OPAQUE FIBERGLASS ENTRY DOOR SINGLES w/ or w/out SIDELITES

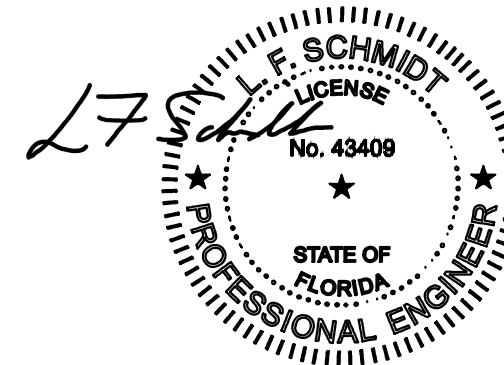
**INSWING  
"NON-IMPACT"**

### GENERAL NOTES

1. This product has been evaluated and is in compliance with the 8th Edition (2023) Florida Building Code (FBC) structural requirements excluding the "High Velocity Hurricane Zone" (HVHZ).
2. Product anchors shall be as listed and spaced as shown on details. Anchor embedment to base material shall be beyond wall dressing or stucco.
3. When used in areas requiring wind borne debris protection, this product is required to be protected with an impact resistant covering that complies with FBC Sections 1609.1.2 & R301.2.1.2.
4. For 2x stud framing construction, anchoring of these units shall be the same as that shown for 2x buck masonry construction.
5. Site conditions that deviate from the details of this drawing require further engineering analysis by a licensed engineer or registered architect.



**CONTINUOUS HEAD & SILL**



This item has been digitally signed and sealed by L. F. Schmidt, P.E. on the date adjacent to the seal. Printed copies of this document are not considered signed and sealed and the signature must be verified on any electronic copies.

THIS PRODUCT APPROVAL IS VALID ONLY FOR THE STATE OF FLORIDA

CONFIGURATION	MAX. FRAME DIMENSION	INTEGRAL MULLION WIDTH	DESIGN PRESSURE (PSF) INSWING	
			POSITIVE	NEGATIVE
X	37.5" x 81.5"	N/A	+50.0	-55.0
OX/XO	52.125" x 81.5"	1.625"	+40.0	-50.0
	53.0" x 81.5"	2.5"	+45.0	-50.0
OXO	66.75" x 81.5"	1.625"	+40.0	-50.0
	68.5" x 81.5"	2.5"	+45.0	-50.0

TABLE OF CONTENTS	
SHEET #	DESCRIPTION
1	Typical Elevations, Design Pressures & General Notes
2	Door Panel Details & Glazing Details
3	Sidelite Panel Details
4	Elevations
5	Horizontal & Vertical Cross Sections (2X Buck)
6	Horizontal & Vertical Cross Sections (1X Buck)
7	Horizontal & Vertical Cross Sections (Direct to Masonry)
8	Horizontal Cross Sections
9	Vertical Cross Sections
10	Buck Anchoring
11	Frame Anchoring & Hardware Details
12	Bill of Materials & Components

Documents Prepared By:  
Lyndon F. Schmidt  
P.E. No. 43409

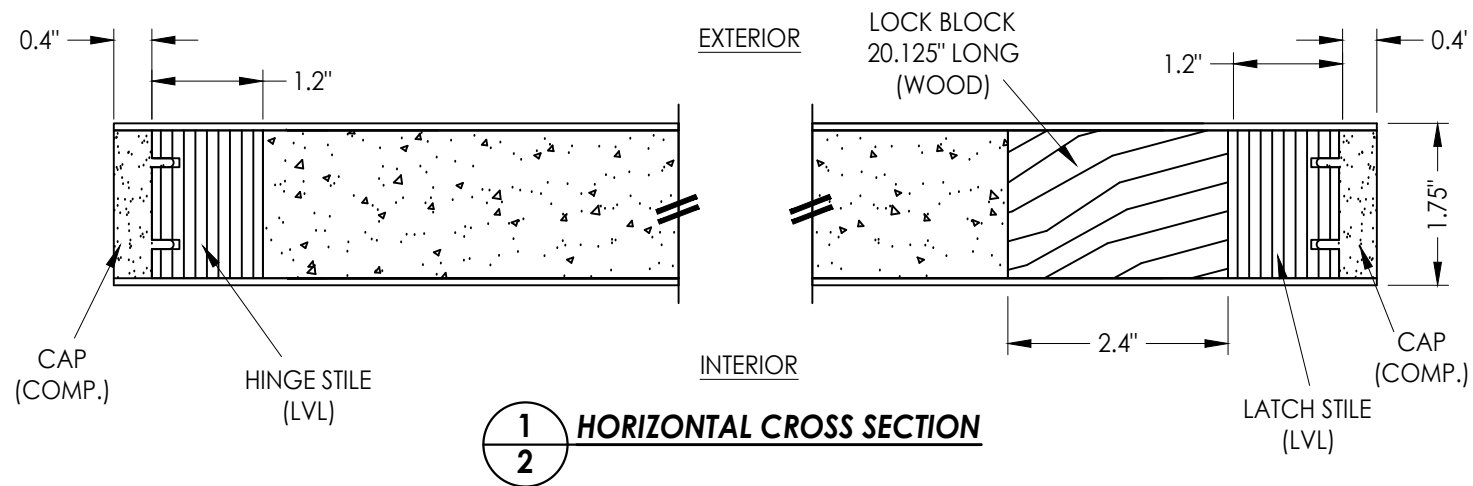
*RW* BUILDING CONSULTANTS, INC.  
P.O. Box 230, Valrico, FL 33595  
Phone No.: 813.659.9197  
FBPE Registry No. 9813

PRODUCT: DOORSCAPES FIBERGLASS DOOR

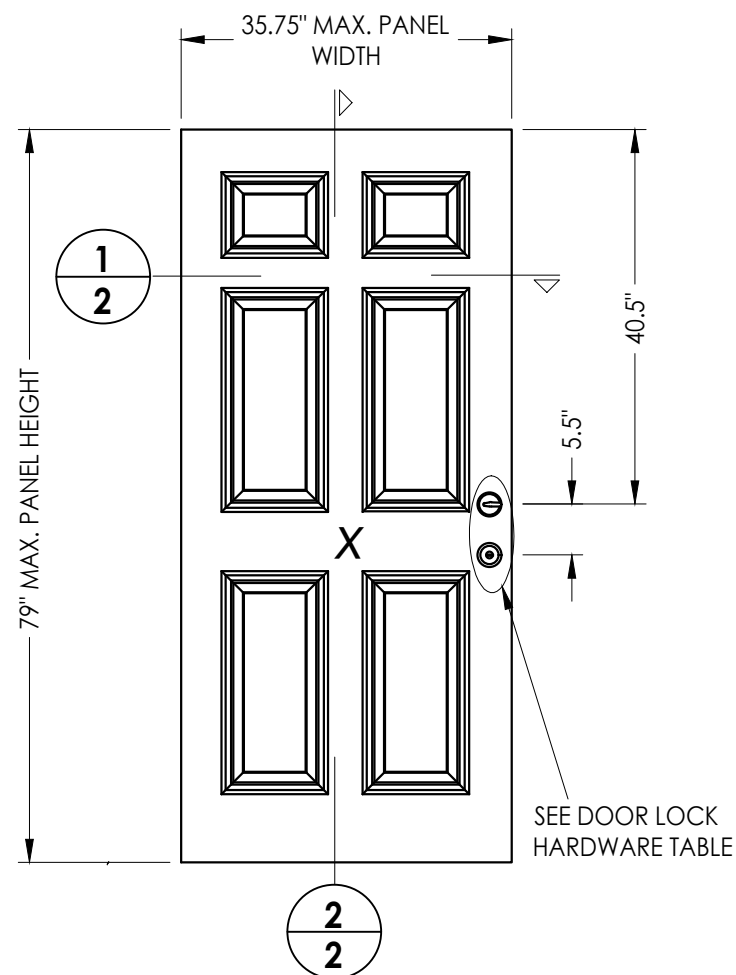
PART OR ASSEMBLY: TYPICAL ELEVATION, DESIGN PRESSURES & GENERAL NOTES

NO.	DATE	BY	REVISIONS
2	8/01/23	LFS	UPDATE TO 8TH ED. (2023) FBC
1	8/06/20	LFS	UPDATE TO 7TH ED. (2020) FBC

DATE: 1/21/19  
SCALE: N.T.S.  
DWG. BY: MT  
CHK. BY: LFS  
DRAWING NO.: FL-28831.1  
SHEET 1 OF 12



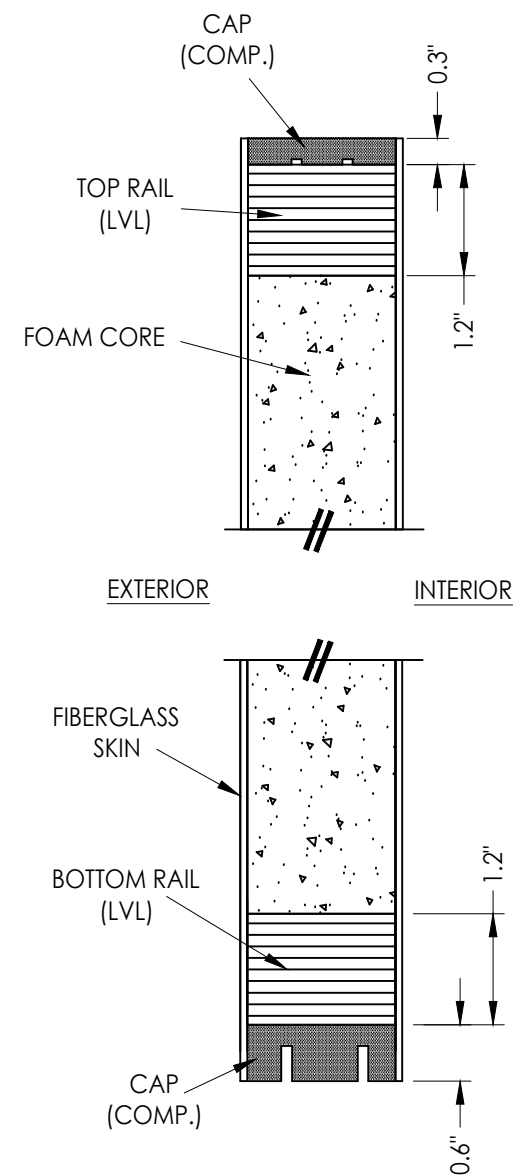
**1**  
**2** **HORIZONTAL CROSS SECTION**



**40** **DOOR PANEL**  
DoorScapes

FIBERGLASS SKIN: 0.075" MIN. THK.  
FOAM CORE: POLYURETHANE -1.9 PCF MIN.

HARDWARE TABLE		
MANUFACTURER	MODEL	
YALE	KNOB:	YE SERIES (10)
	DEADBOLT:	YE SERIES (82E)



**2**  
**2** **VERTICAL CROSS SECTION**

Documents Prepared By:  
Lyndon F. Schmidt  
P.E. No. 43409

**RW**  
BUILDING CONSULTANTS, INC.  
P.O. Box 230, Valrico, FL 33595  
Phone No.: 813.659.9197  
FBPE Registry No. 9813

PRODUCT: DOORSCAPES  
FIBERGLASS DOOR

PART OR ASSEMBLY:  
DOOR PANEL DETAILS &  
GLAZING DETAILS

NO.	DATE	BY
2	8/01/23	LFS
1	8/06/20	LFS

DATE: 1/21/19

SCALE: N.T.S.

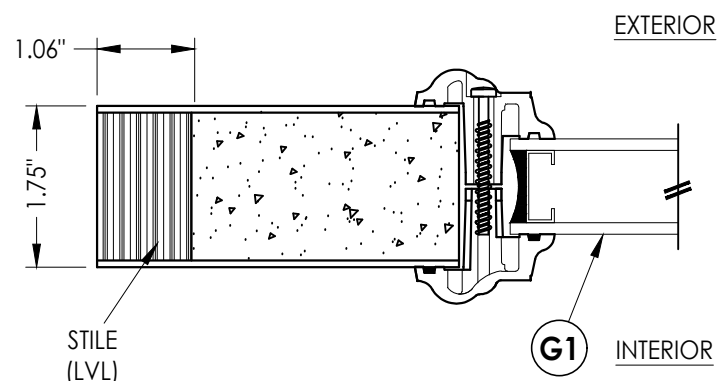
DWG. BY: MT

CHK. BY: LFS

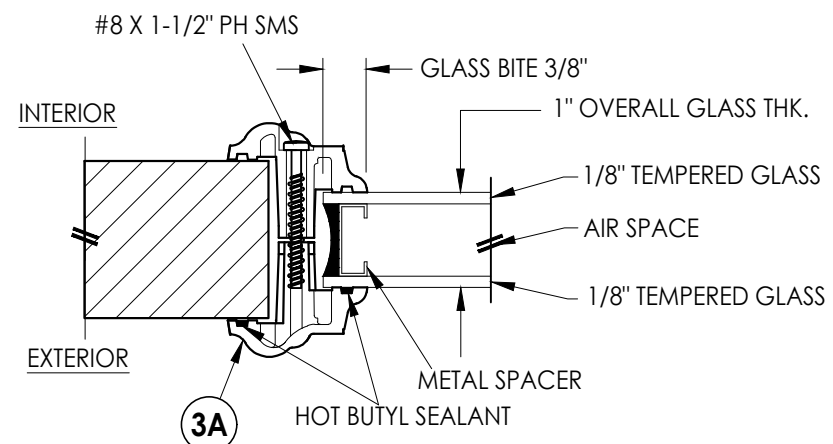
DRAWING NO.:

FL-28831.1

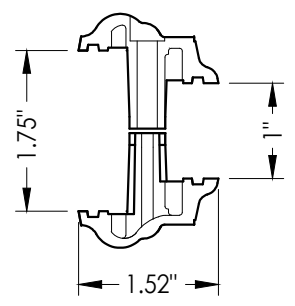
SHEET 2 OF 12



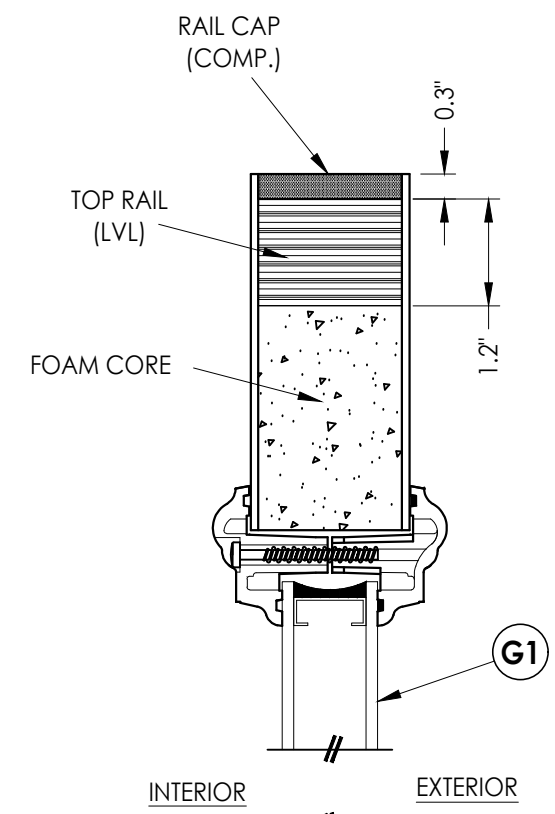
**1**  
**3** **HORIZONTAL CROSS SECTION**



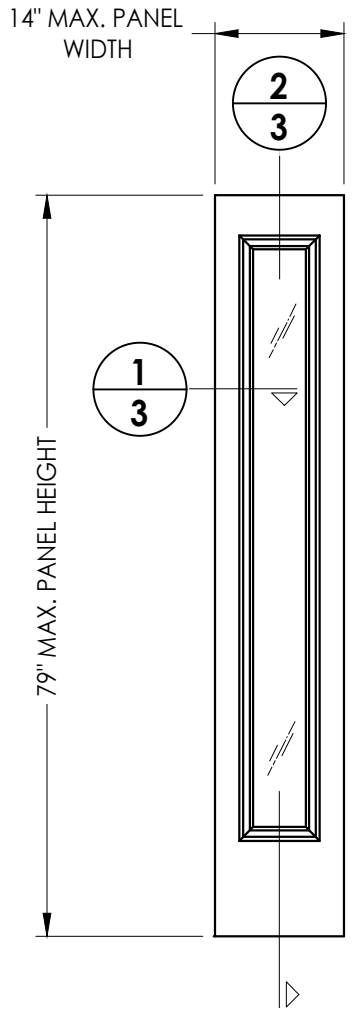
**G1** **GLAZING DETAIL**  
RSL LITE FRAME



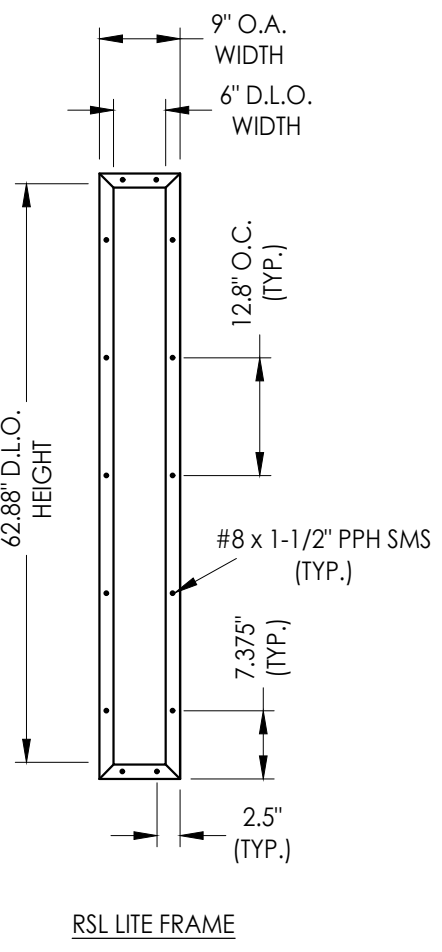
**3A** **RSL LITE FRAME**  
PVC



**2**  
**3** **VERTICAL CROSS SECTION**



**50** **SIDELITE PANEL**  
Doorscapes



RSL LITE FRAME

FIBERGLASS SKIN: 0.075" MIN. THK.  
FOAM CORE: POLYURETHANE -1.9 PCF MIN.

Documents Prepared By:  
Lyndon F. Schmidt  
P.E. No. 43409

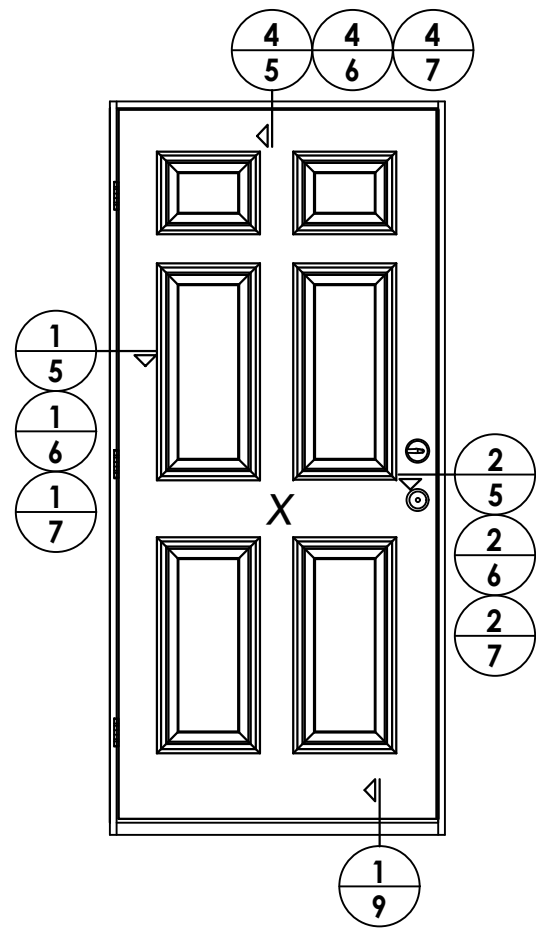
**RW**  
BUILDING CONSULTANTS, INC.  
P.O. Box 230, Valrico, FL 33595  
Phone No.: 813.659.9197  
FBPE Registry No. 9813

PRODUCT: DOORSCAPES  
FIBERGLASS DOOR

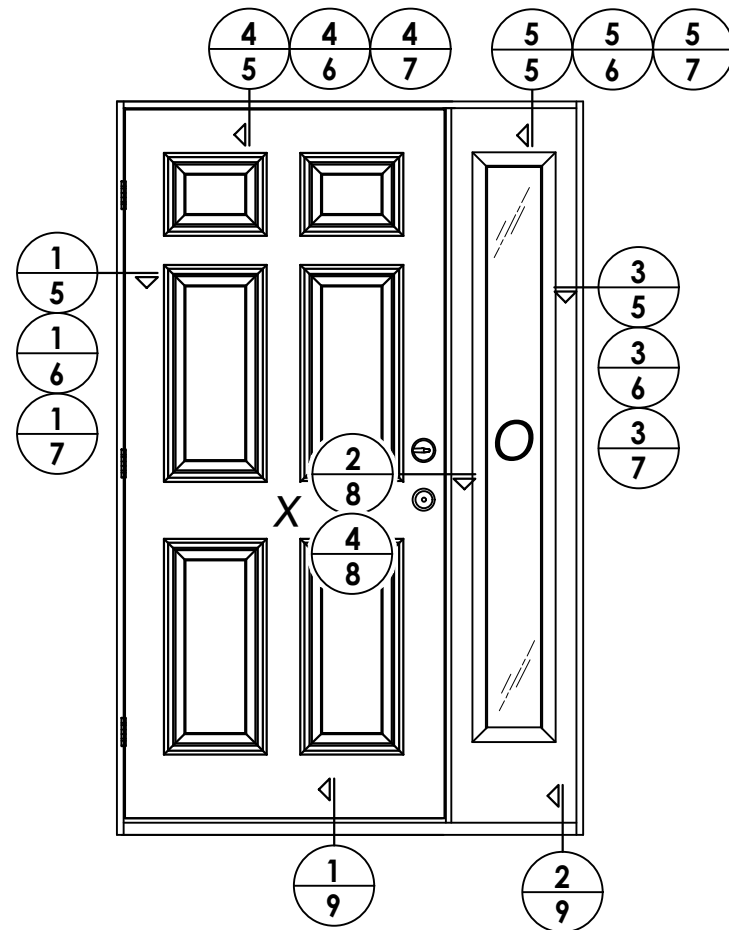
PART OR ASSEMBLY:  
SIDELITE PANEL DETAILS

NO.	DATE	REVISIONS
2	8/01/23	UPDATE TO 8TH ED. (2023) FBC
1	8/06/20	UPDATE TO 7TH ED. (2020) FBC

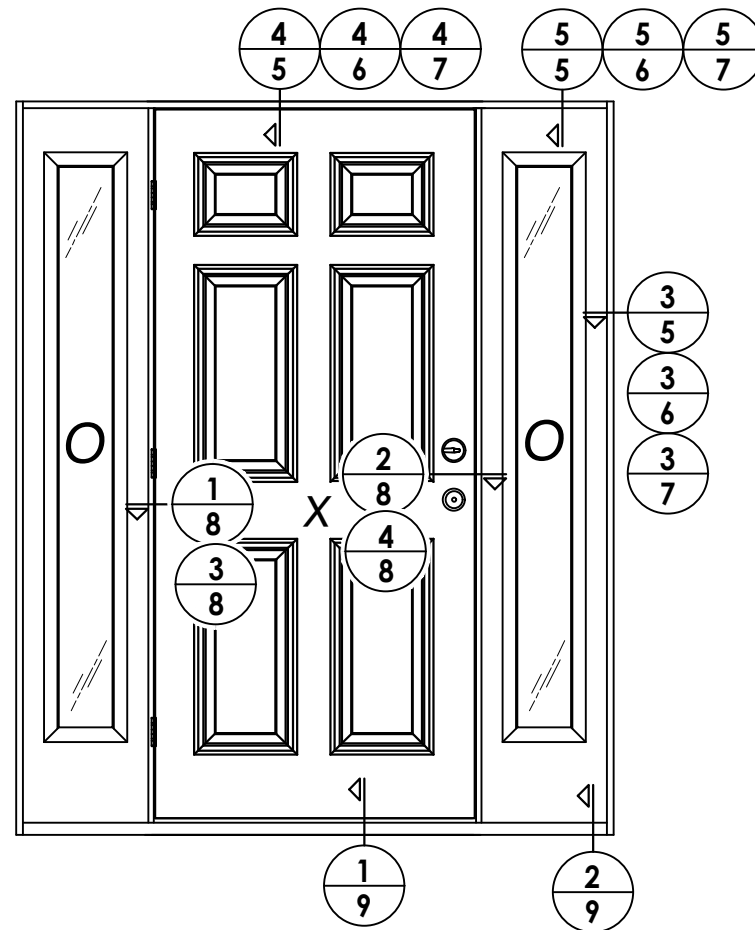
DATE:	1/21/19
SCALE:	N.T.S.
DWG. BY:	MT
CHK. BY:	LFS
DRAWING NO.:	FL-28831.1
SHEET	3 of 12



ELEVATION  
X



ELEVATION  
XO / OX



ELEVATION  
OXO

Documents Prepared By:  
Lyndon F. Schmidt  
P.E. No. 43409

*RW*  
BUILDING CONSULTANTS, INC.  
P.O. Box 230, Valrico, FL 33595  
Phone No.: 813.659.9197  
FBPE Registry No. 9813

PRODUCT:  
DOORSCAPES  
FIBERGLASS DOOR

PART OR ASSEMBLY:  
ELEVATIONS

NO.	DATE	REVISIONS	BY
2	8/01/23	UPDATE TO 8TH ED. (2023) FBC	LFS
1	8/06/20	UPDATE TO 7TH ED. (2020) FBC	LFS

DATE: 1/21/19

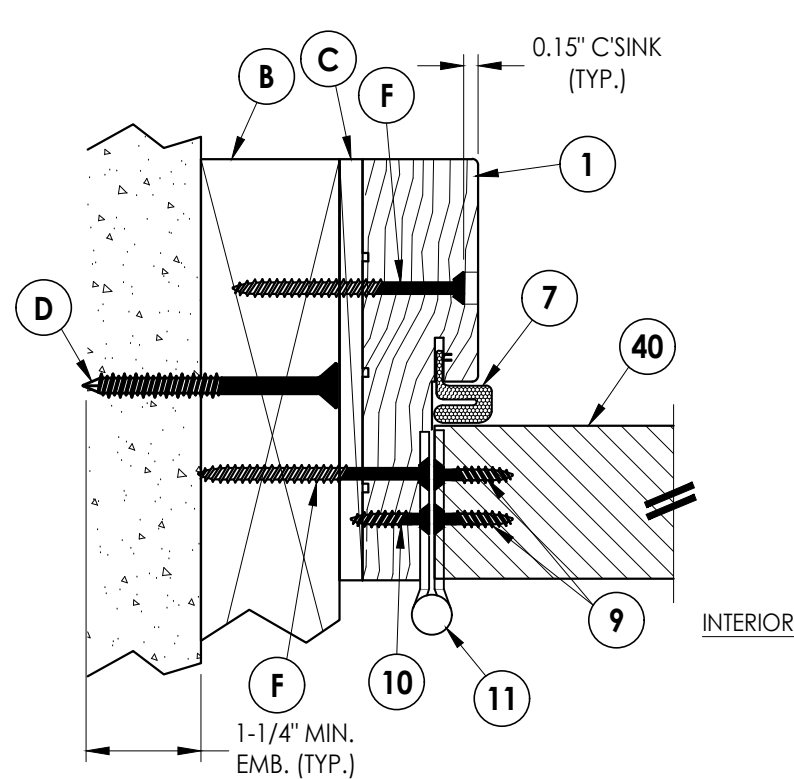
SCALE: N.T.S.

DWG. BY: MT

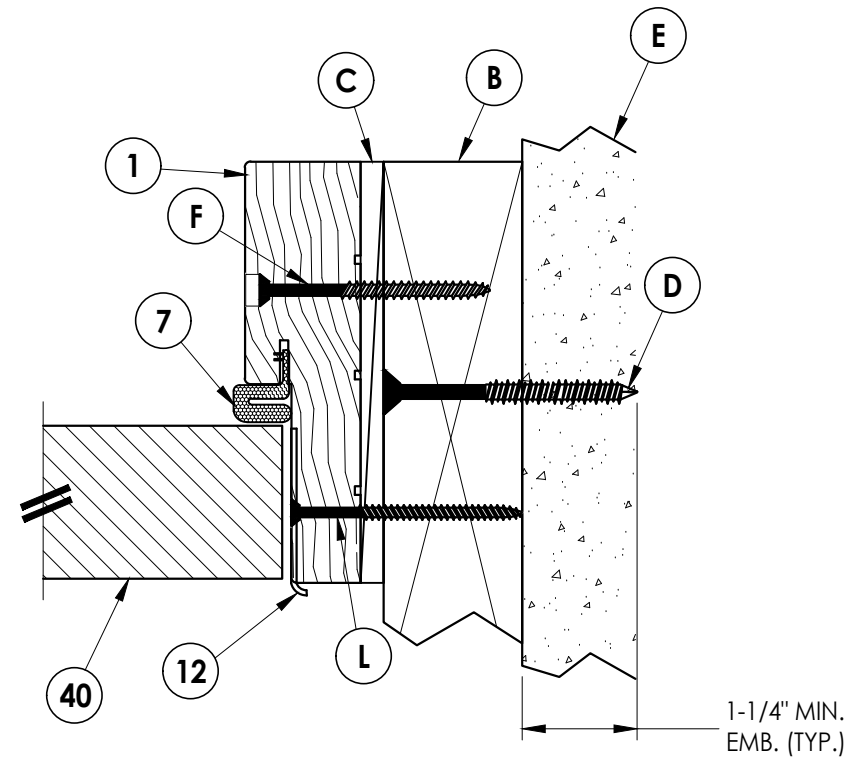
CHK. BY: LFS

DRAWING NO.:  
FL-28831.1

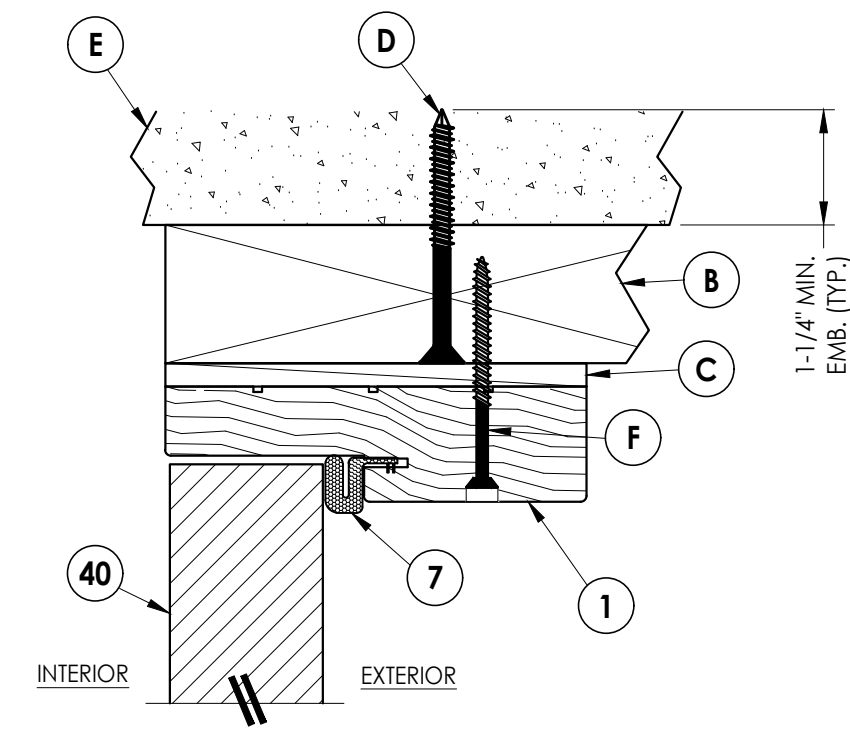
SHEET 4 OF 12



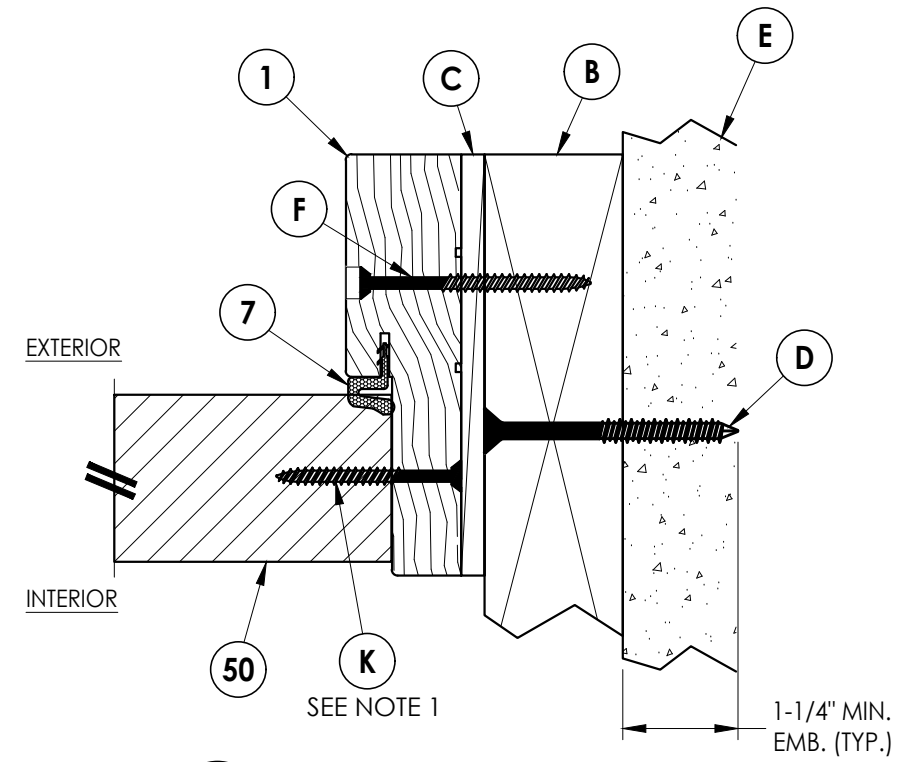
**1** HORIZONTAL CROSS SECTION  
**5** Inswing  
 2X Buck Construction



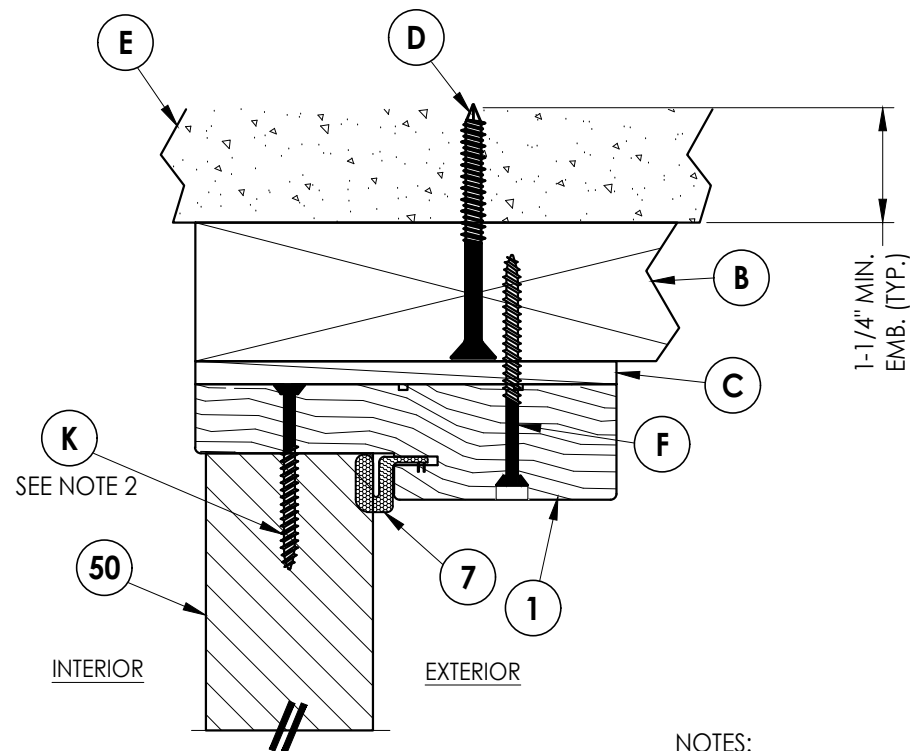
**2** HORIZONTAL CROSS SECTION  
**5** Inswing  
 2X Buck Construction



**4** VERTICAL CROSS SECTION  
**5** Inswing  
 2X Buck Construction



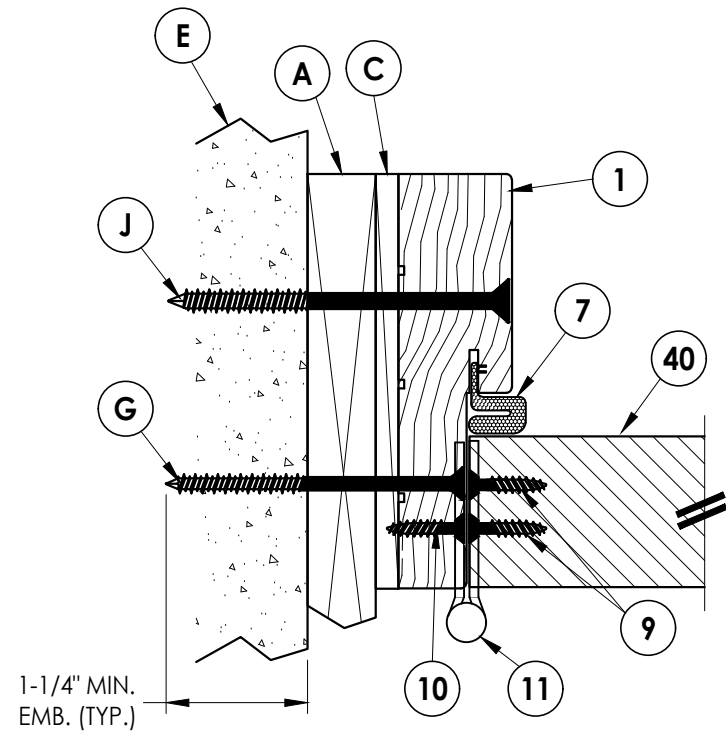
**3** HORIZONTAL CROSS SECTION  
**5** Inswing  
 2X Buck Construction



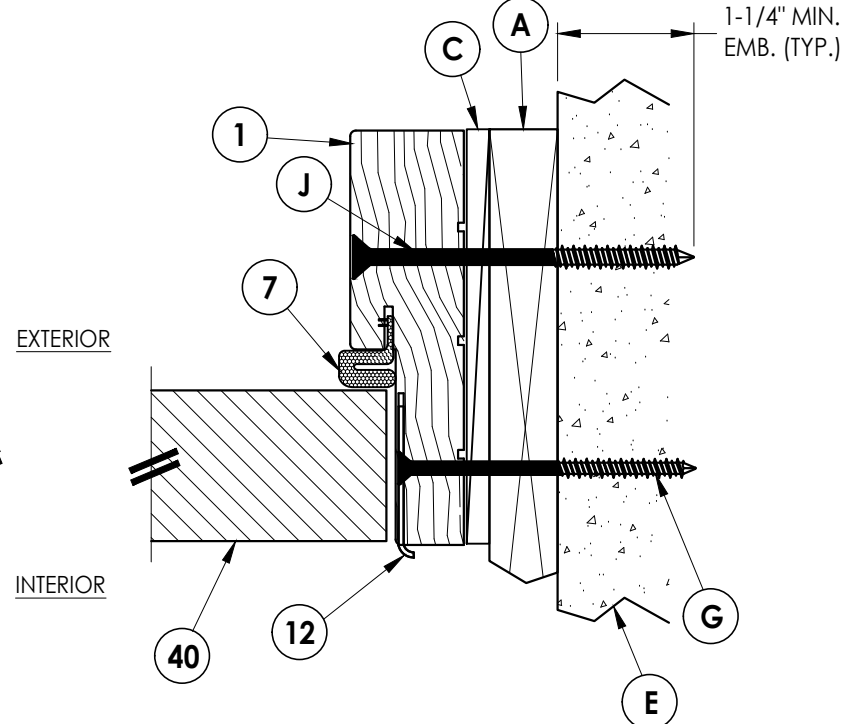
**5** VERTICAL CROSS SECTION  
**5** Inswing  
 2X Buck Construction

- NOTES:
- Sidelite attached @ 6" from each end plus 4 more screws equally spaced between (6 screws total per jamb).
  - Sidelite attached @ 3" from each end (2 screws total @ head).

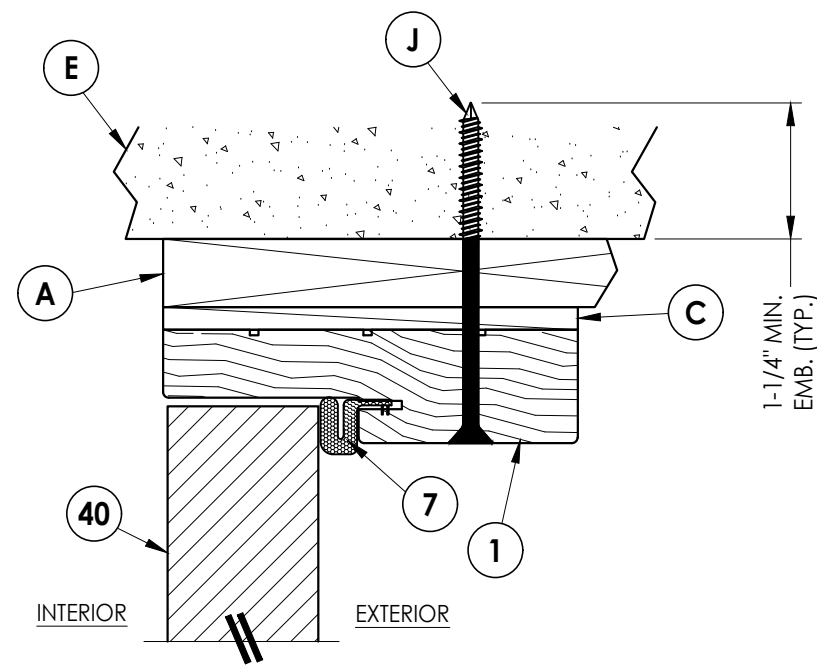
Documents Prepared By: Lyndon F. Schmidt P.E. No. 43409		BUILDING CONSULTANTS, INC. P.O. Box 230, Valrico, FL 33595 Phone No.: 813.659.9197 FBPE Registry No. 9813	
PRODUCT: DOORSCAPES FIBERGLASS DOOR		PART OR ASSEMBLY: HORIZONTAL & VERTICAL CROSS SECTIONS (2X BUCK)	
DATE: 1/21/19		SCALE: N.T.S.	
DWG. BY: MT		CHK. BY: LFS	
DRAWING NO.: FL-28831.1		SHEET 5 OF 12	
NO.		DATE	
2		8/01/23	
1		8/06/20	
LFS		FBC	
LFS		FBC	
BY		REVISIONS	



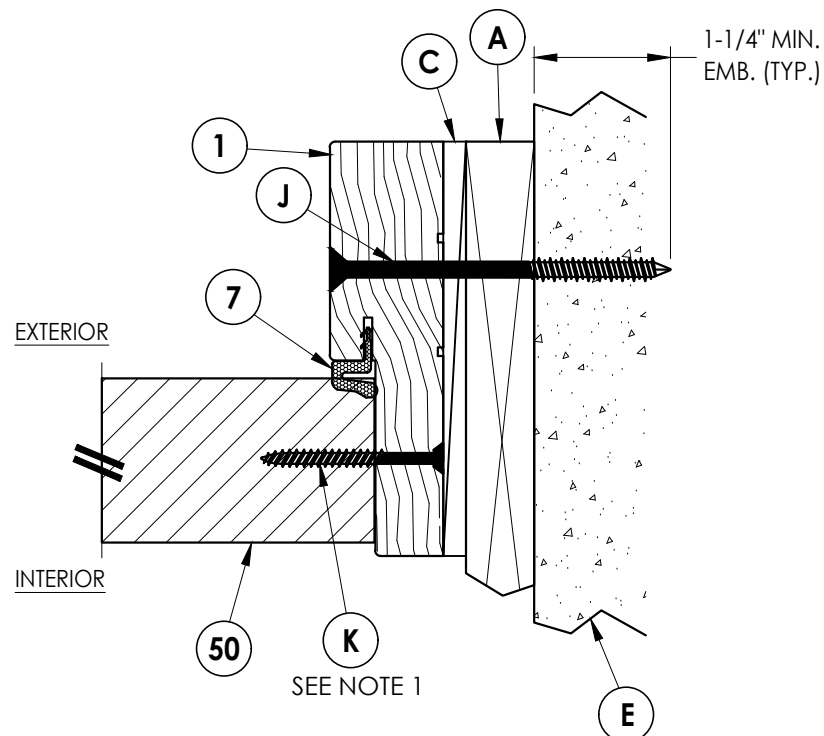
**1** HORIZONTAL CROSS SECTION  
**6** Inswing  
1X Buck Construction



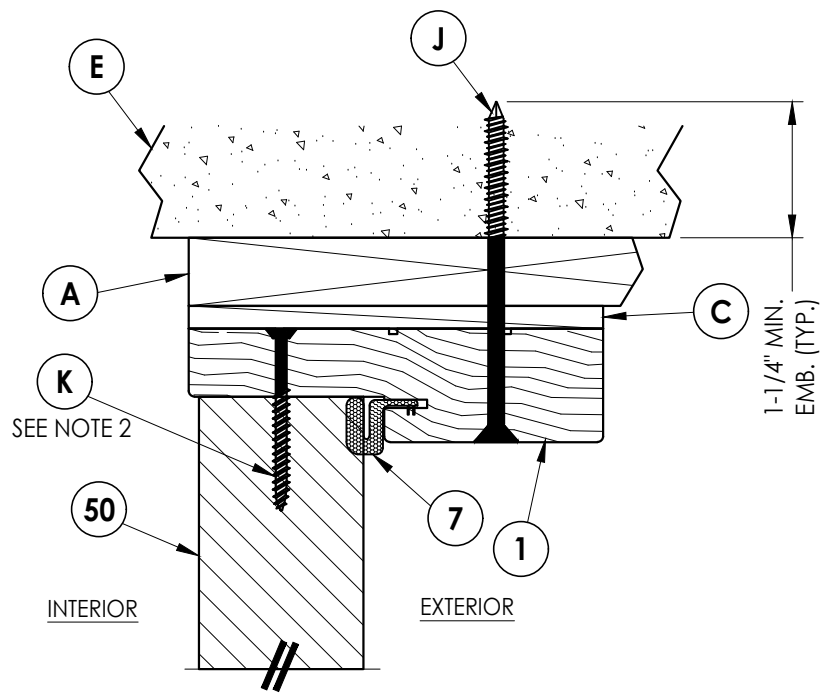
**2** HORIZONTAL CROSS SECTION  
**6** Inswing  
1X Buck Construction



**4** VERTICAL CROSS SECTION  
**6** Inswing  
1X Buck Construction



**3** HORIZONTAL CROSS SECTION  
**6** Inswing  
1X Buck Construction



**5** VERTICAL CROSS SECTION  
**6** Inswing  
1X Buck Construction

**NOTES:**

- Sidelite attached @ 6" from each end plus 4 more screws equally spaced between (6 screws total per jamb).
- Sidelite attached @ 3" from each end (2 screws total @ head).

Documents Prepared By:  
Lyndon F. Schmidt  
P.E. No. 43409

**RW** BUILDING CONSULTANTS, INC.  
P.O. Box 230, Valrico, FL 33595  
Phone No.: 813.659.9197  
FBPE Registry No. 9813

PRODUCT: DOORSCAPES  
FIBERGLASS DOOR

PART OR ASSEMBLY:  
HORIZONTAL & VERTICAL  
CROSS SECTIONS (1X BUCK)

NO.	DATE	REVISIONS	BY
2	8/01/23	UPDATE TO 8TH ED. (2023) FBC	LFS
1	8/06/20	UPDATE TO 7TH ED. (2020) FBC	LFS

DATE: 1/21/19

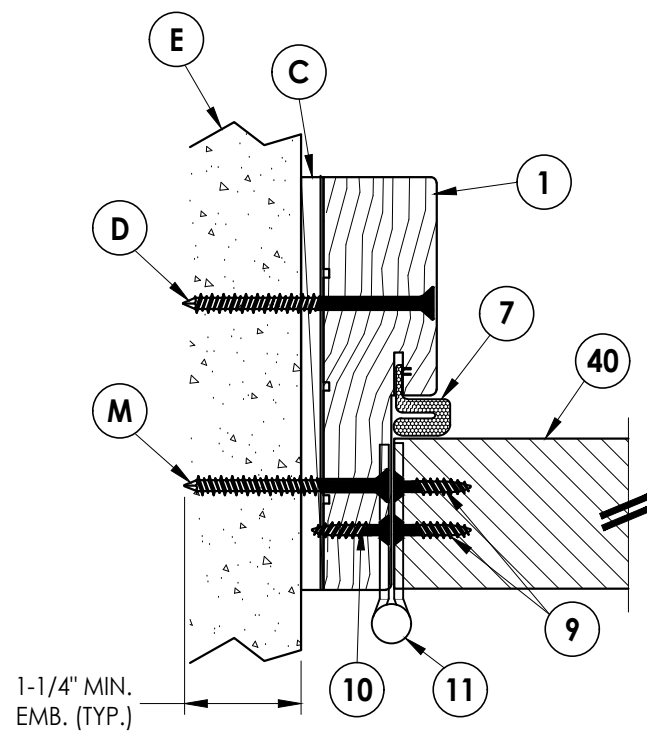
SCALE: N.T.S.

DWG. BY: MT

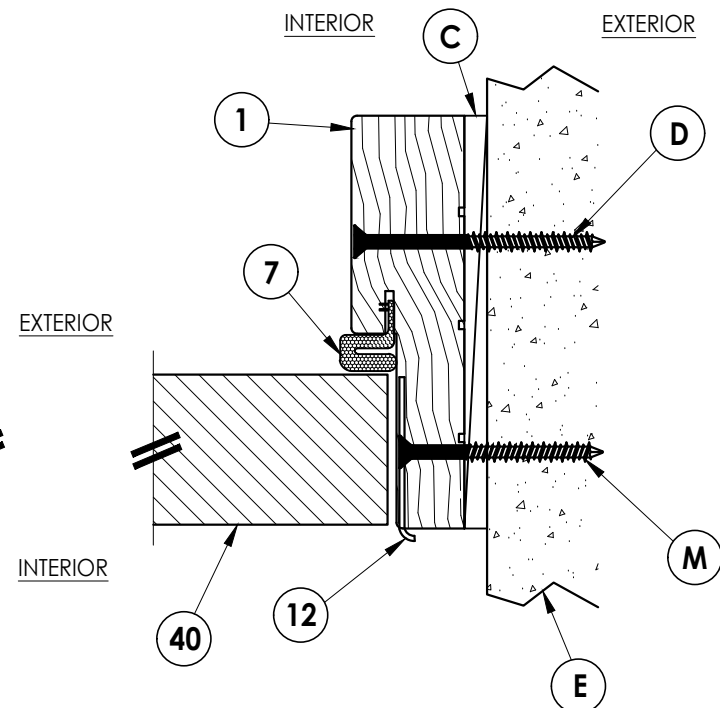
CHK. BY: LFS

DRAWING NO.: FL-28831.1

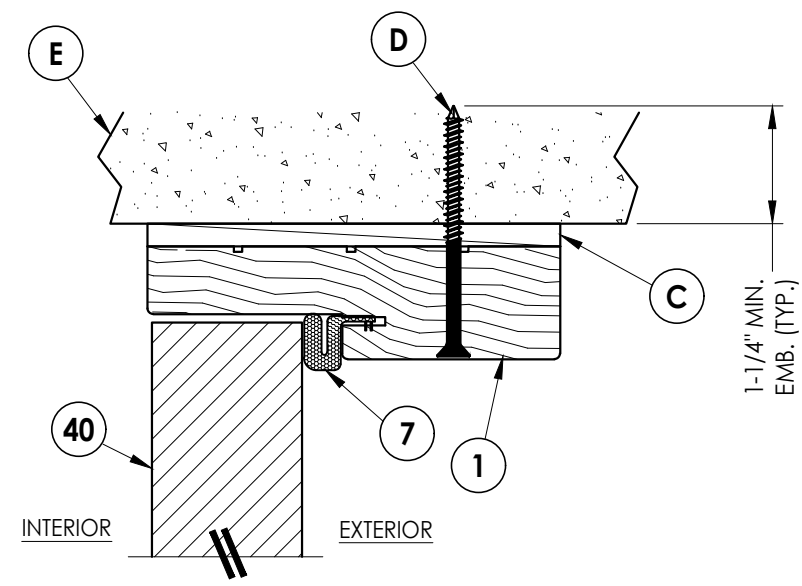
SHEET 6 OF 12



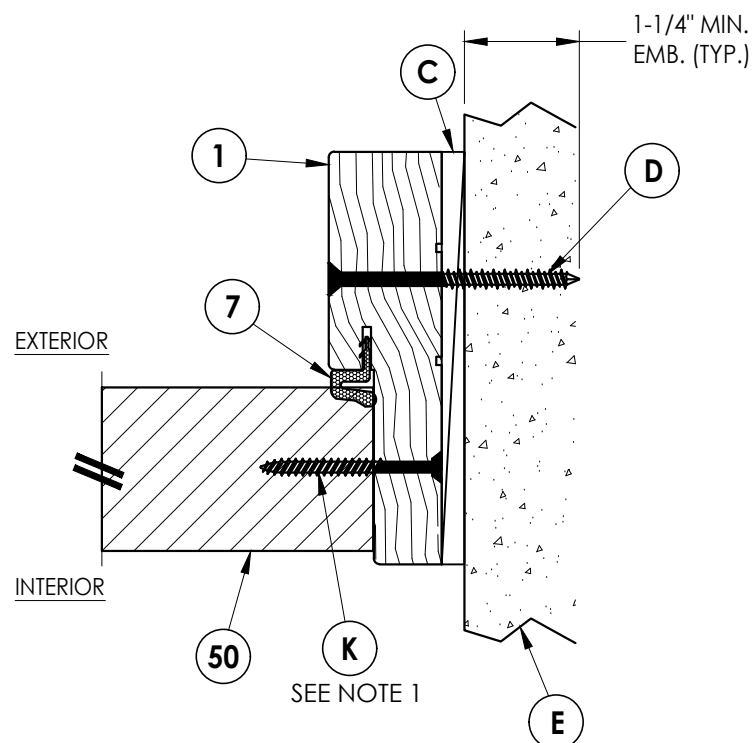
**1**  
**7** **HORIZONTAL CROSS SECTION**  
Inswing  
Shown Direct to Masonry



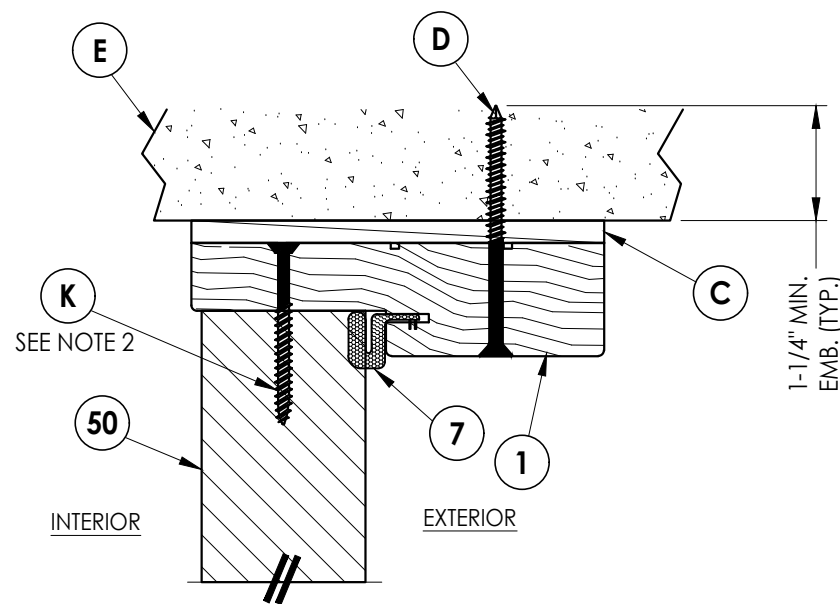
**2**  
**7** **HORIZONTAL CROSS SECTION**  
Inswing  
Shown Direct to Masonry



**4**  
**7** **VERTICAL CROSS SECTION**  
Inswing  
Shown Direct to Masonry



**3**  
**7** **HORIZONTAL CROSS SECTION**  
Inswing  
Shown Direct to Masonry



**5**  
**7** **VERTICAL CROSS SECTION**  
Inswing  
Shown Direct to Masonry

**NOTES:**

- Sidelite attached @ 6" from each end plus 4 more screws equally spaced between (6 screws total per jamb).
- Sidelite attached @ 3" from each end (2 screws total @ head).

Documents Prepared By:  
Lyndon F. Schmidt  
P.E. No. 43409

**BUILDING CONSULTANTS, INC.**  
P.O. Box 230, Valrico, FL 33595  
Phone No.: 813.659.9197  
FBPE Registry No. 9813

PRODUCT: DOORSCAPES  
FIBERGLASS DOOR

PART OR ASSEMBLY:  
HORIZONTAL & VERTICAL CROSS  
SECTIONS (DIRECT TO MASONRY)

NO.	DATE	BY	REVISIONS
2	8/01/23	FBC	UPDATE TO 8TH ED. (2023)
1	8/06/20	FBC	UPDATE TO 7TH ED. (2020)

DATE: 1/21/19

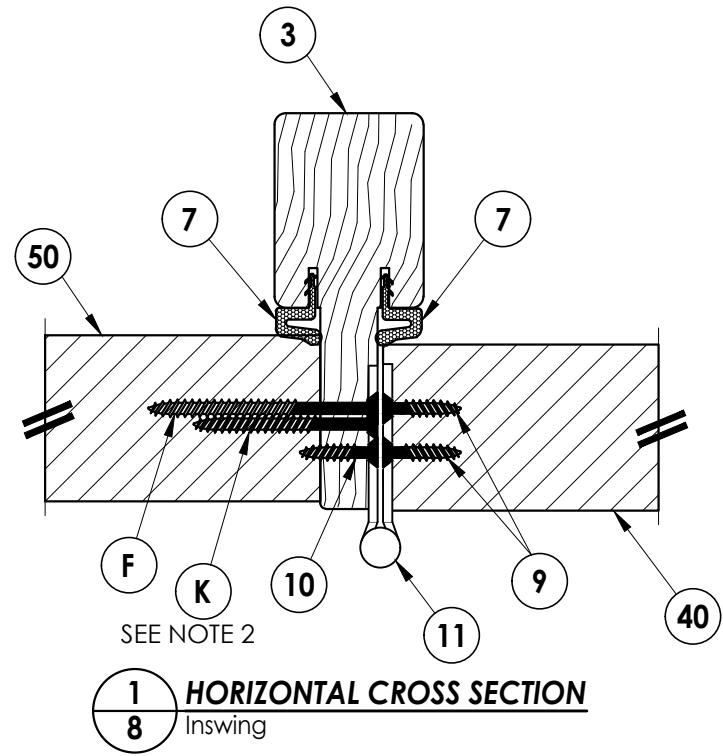
SCALE: N.T.S.

DWG. BY: MT

CHK. BY: LFS

DRAWING NO.: FL-28831.1

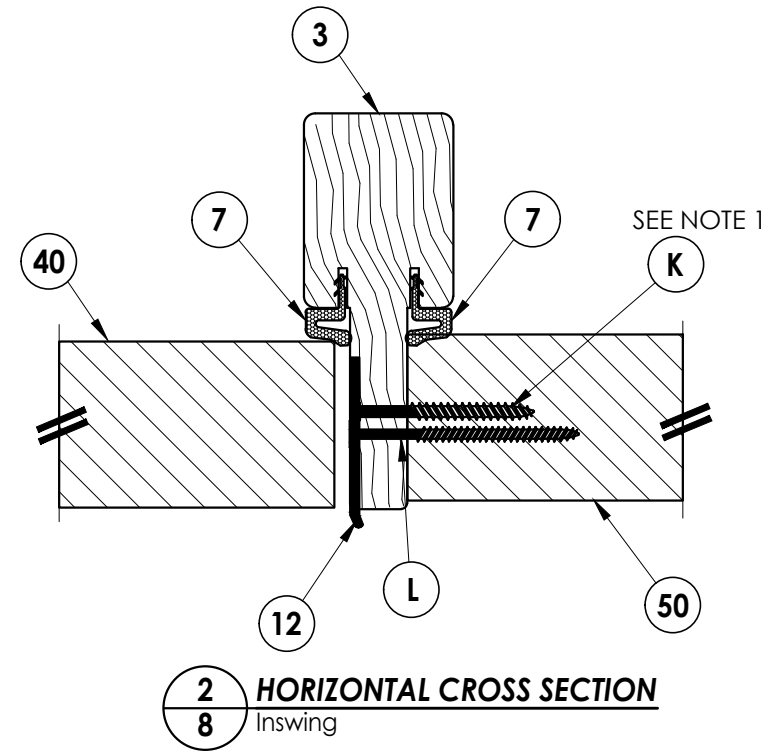
SHEET 7 OF 12



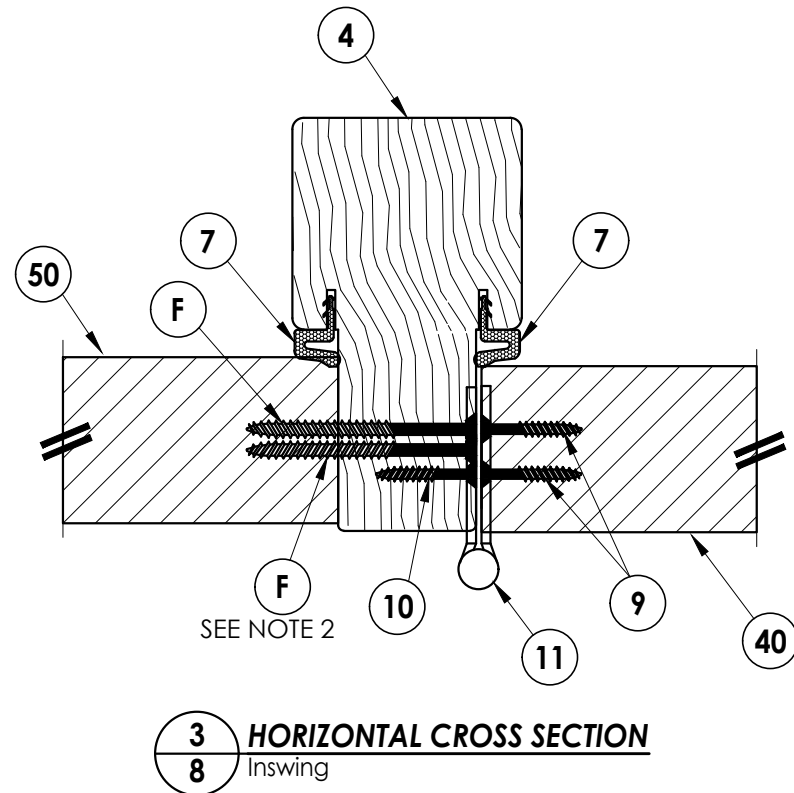
**1** HORIZONTAL CROSS SECTION  
**8** Inswing

EXTERIOR

INTERIOR



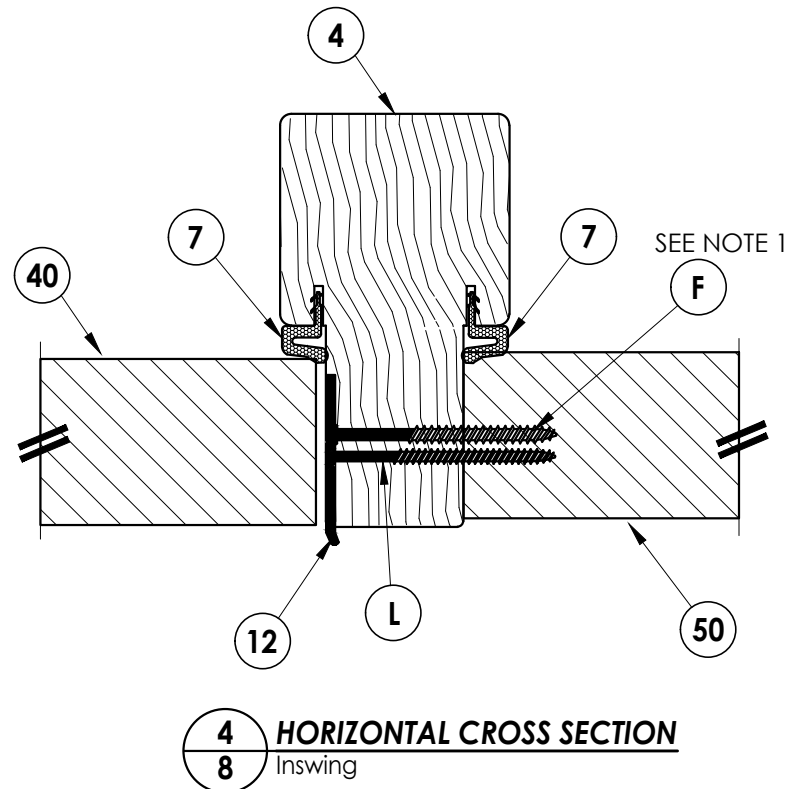
**2** HORIZONTAL CROSS SECTION  
**8** Inswing



**3** HORIZONTAL CROSS SECTION  
**8** Inswing

EXTERIOR

INTERIOR



**4** HORIZONTAL CROSS SECTION  
**8** Inswing

NOTES:

- Sidelite attached @ 6" from each end plus 4 more screws equally spaced between (6 screws total per jamb).
- Sidelite attached w/ 1 screw equally spaced between each hinge (2 screws total per mullion).

Documents Prepared By:  
Lyndon F. Schmidt  
P.E. No. 43409

**RW**  
BUILDING CONSULTANTS, INC.  
P.O. Box 230, Valrico, FL 33595  
Phone No.: 813.659.9197  
FBPE Registry No. 9813

PRODUCT: DOORSCAPES  
FIBERGLASS DOOR

PART OR ASSEMBLY:  
HORIZONTAL CROSS  
SECTIONS

NO.	DATE	REVISIONS
2	8/01/23	UPDATE TO 8TH ED. (2023) FBC
1	8/06/20	UPDATE TO 7TH ED. (2020) FBC

DATE: 1/21/19

SCALE: N.T.S.

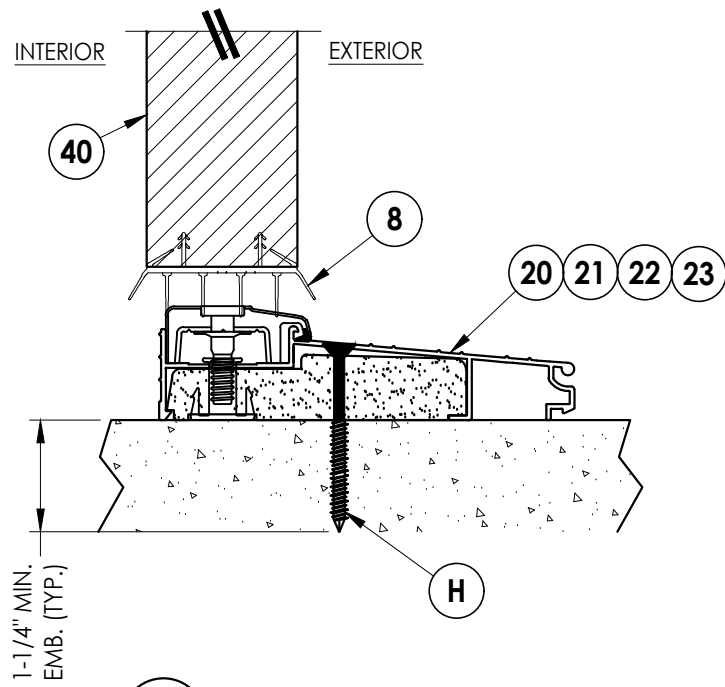
DWG. BY: MT

CHK. BY: LFS

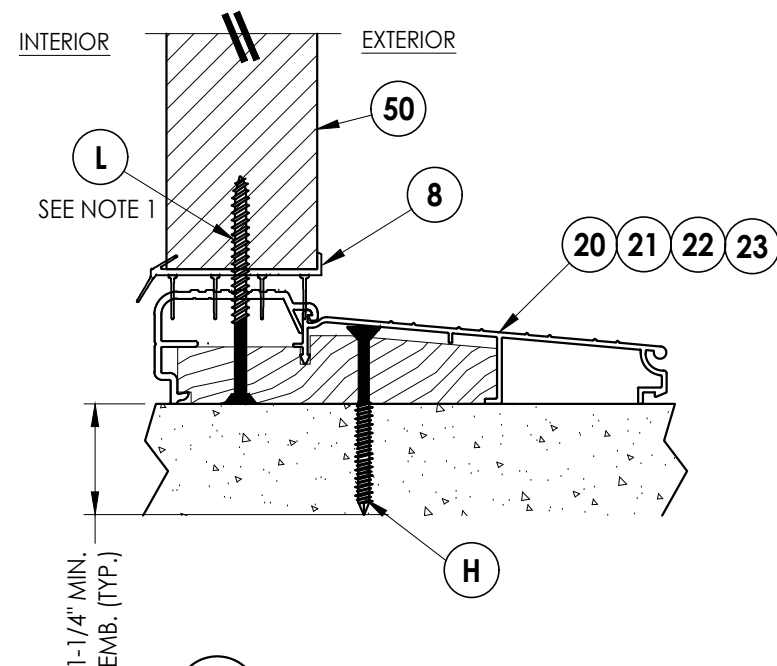
DRAWING NO.:  
FL-28831.1

SHEET 8 of 12





**1** VERTICAL CROSS SECTION  
**9** Inswing sill



**2** VERTICAL CROSS SECTION  
**9** Inswing sill

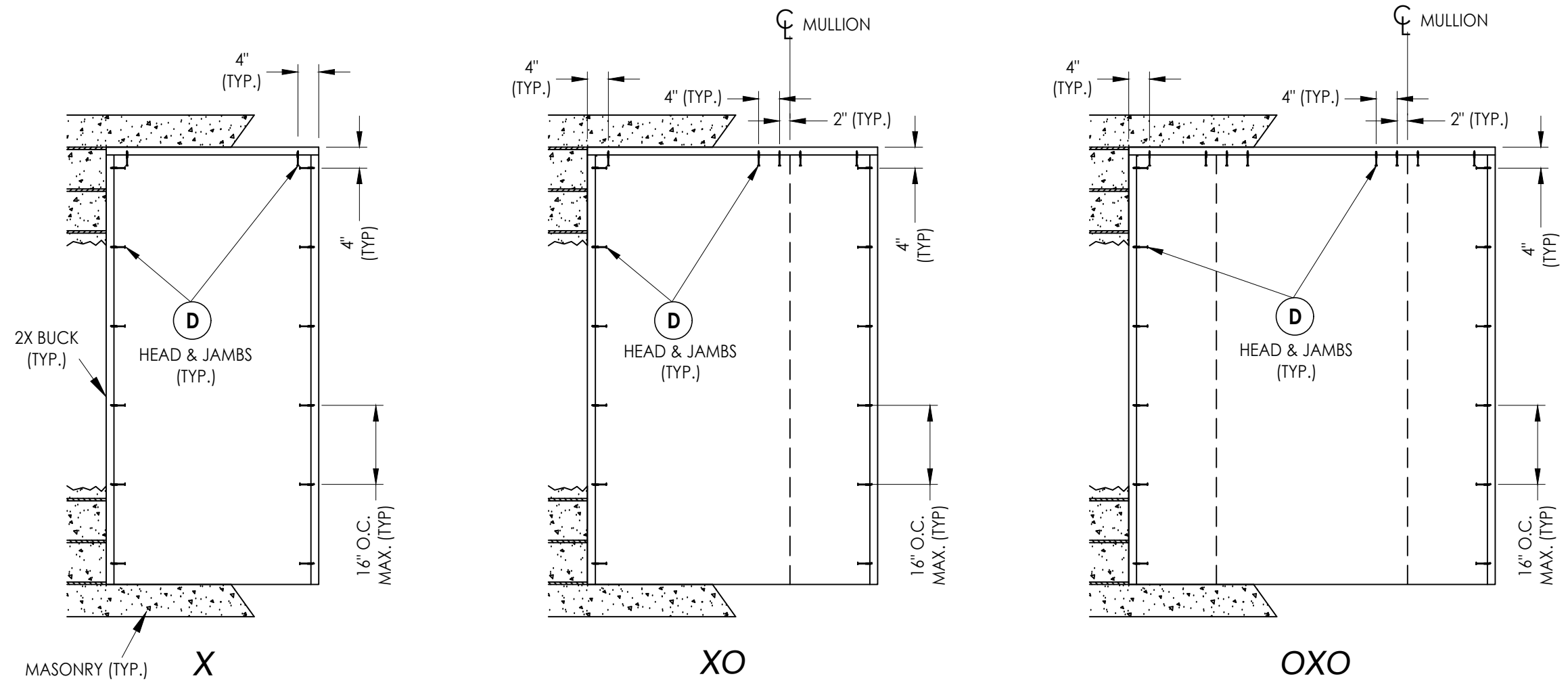
NOTE:  
1. Sidelite attached @ 3" from each end (2 screws total @ sill).

DATE:	1/21/19
SCALE:	N.T.S.
DWG. BY:	MT
CHK. BY:	LFS
DRAWING NO.:	FL-28831.1
SHEET	<u>9</u> OF <u>12</u>

PRODUCT:	DOORSCAPES FIBERGLASS DOOR
PART OR ASSEMBLY:	VERTICAL CROSS SECTIONS

Documents Prepared By:  
Lyndon F. Schmidt  
P.E. No. 43409

BUILDING CONSULTANTS, INC.  
P.O. Box 230, Vairico, FL 33595  
Phone No.: 813.659.9197  
FBPE Registry No. 9813



**2X BUCK ANCHORING**

DATE:	1/21/19
SCALE:	N.T.S.
DWG. BY:	MT
CHK. BY:	LFS
DRAWING NO.:	FL-28831.1
SHEET	10 OF 12

NO.	DATE	REVISIONS
2	8/01/23	UPDATE TO 8TH ED. (2023) FBC LFS
1	8/06/20	UPDATE TO 7TH ED. (2020) FBC LFS
		BY

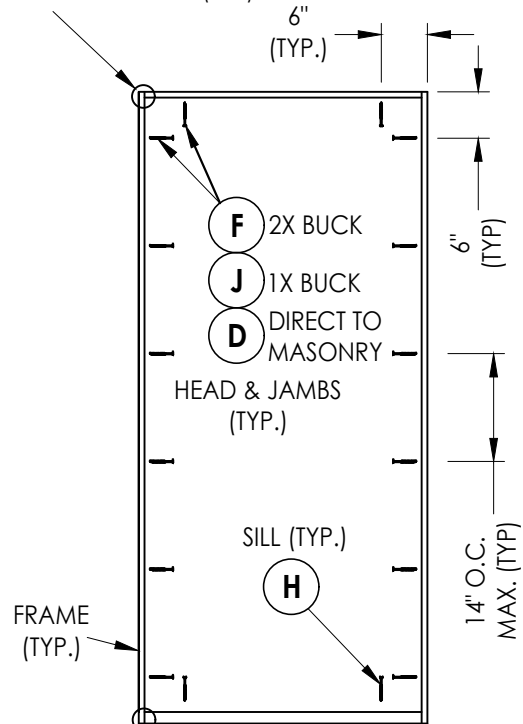
PRODUCT:	DOORSCAPES FIBERGLASS DOOR
PART OR ASSEMBLY:	BUCK ANCHORING

Documents Prepared By:  
Lyndon F. Schmidt  
P.E. No. 43409

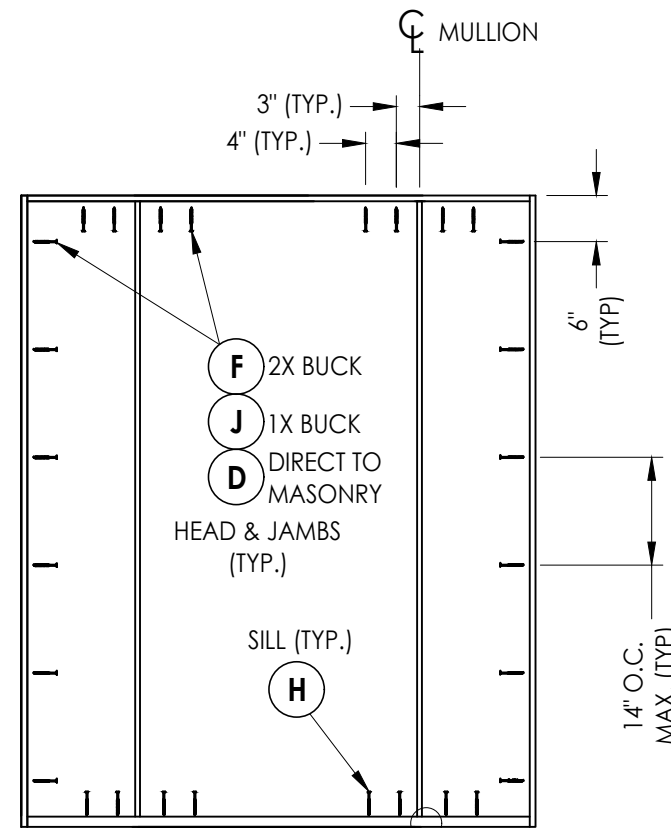
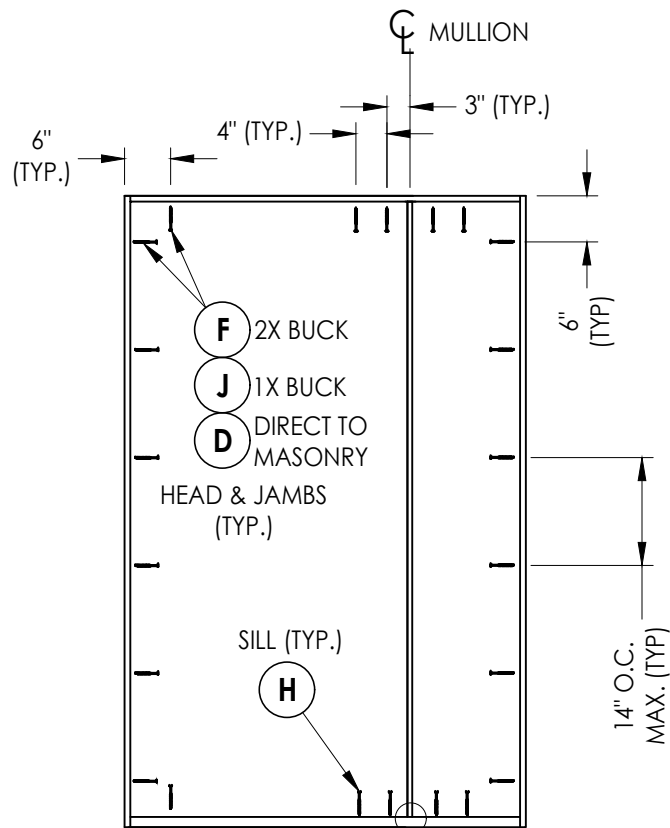


BUILDING CONSULTANTS, INC.  
P.O. Box 230, Valrico, FL 33595  
Phone No.: 813.659.9197  
FBPE Registry No. 9813

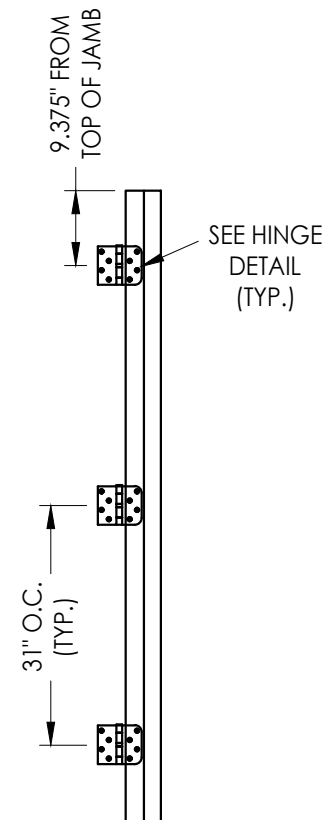
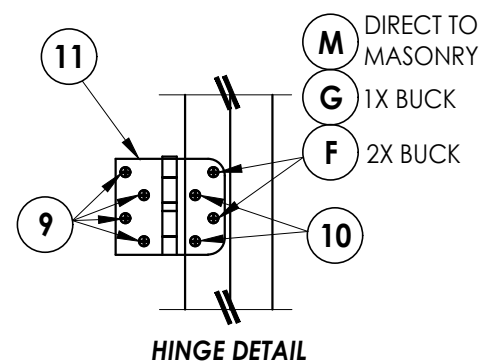
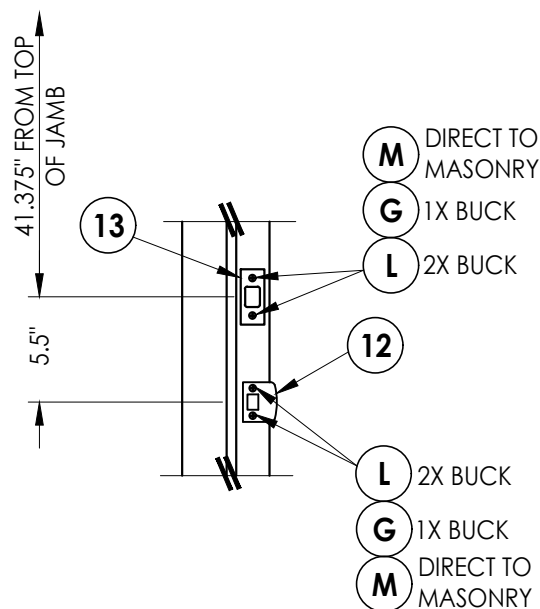
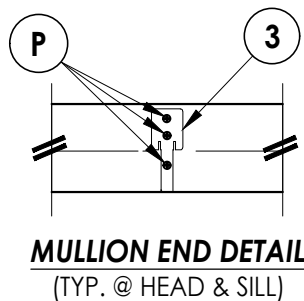
THE HEAD IS ATTACHED TO THE JAMB  
w/ (4) #7 X 2" DRYWALL SCREWS (TYP.)



THE THRESHOLD IS ATTACHED TO THE JAMB  
w/ (4) 7/16" X 2" STEEL CROWN STAPLES (TYP.)



**FRAME ANCHORING**



**LATCH & DEADBOLT STRIKE DETAILS**

**HINGE JAMB**

Documents Prepared By:  
Lyndon F. Schmidt  
P.E. No. 43409

**RW**  
BUILDING CONSULTANTS, INC.  
P.O. Box 230, Valrico, FL 33595  
Phone No.: 813.659.9197  
FBPE Registry No. 9813

PRODUCT:  
DOORSCAPES  
FIBERGLASS DOOR

PART OR ASSEMBLY:  
FRAME ANCHORING  
& HARDWARE DETAILS

NO.	DATE	REVISIONS	BY
2	8/01/23	UPDATE TO 8TH ED. (2023)	FBC
1	8/06/20	UPDATE TO 7TH ED. (2020)	FBC

DATE: 1/21/19

SCALE: N.T.S.

DWG. BY: MT

CHK. BY: LFS

DRAWING NO.:

FL-28831.1

SHEET 11 OF 12

**BILL OF MATERIALS**

ITEM #	DESCRIPTION	MATERIAL
A	1X BUCK (G >= 0.42)	WOOD
B	2X BUCK (G >= 0.42)	WOOD
C	1/4" MAX. SHIM SPACE	-
D	1/4" X 2-3/4" PFH DeWALT OR ITW CONCRETE SCREW	STEEL
E	MASONRY - 3,000 PSI MIN. CONCRETE CONFORMING TO ACI 301 OR HOLLOW BLOCK CONFORMING TO ASTM C90	CONCRETE
F	#10 X 2-1/2" PFH WOOD SCREW (1.15" MIN. EMBEDMENT)	STEEL
G	3/16" X 3-1/4" PFH ITW CONCRETE SCREW	STEEL
H	1/4" X 2-1/4" PFH DeWALT OR ITW CONCRETE SCREW	STEEL
J	1/4" X 3-3/4" PFH DeWALT OR ITW CONCRETE SCREW	STEEL
K	#10 X 2" PFH WOOD SCREW	STEEL
L	#8 X 2-1/2" PFH WOOD SCREW	STEEL
M	3/16" X 2-1/4" PFH ITW CONCRETE SCREW	STEEL
P	#7 X 2-1/2" DRYWALL SCREW	STEEL
1	FINGER JOINT PINE JAMB (G >= 0.42)	WOOD
3	INTEGRAL MULLION - 1.625" WIDE (PINE, G >= 0.42)	WOOD
4	INTEGRAL MULLION - 2.5" WIDE (PINE, G >= 0.42)	WOOD
7	WEATHERSTRIP	FOAM
8	DOOR/SIDELITE BOTTOM SWEEP	VINYL
9	#9 X 1" PFH WOOD SCREW	STEEL
10	#10 X 3/4" PFH WOOD SCREW	STEEL
11	4" X 4" BUTT HINGE	STEEL
12	LATCH STRIKE PLATE	STEEL
13	DEADBOLT STRIKE PLATE	STEEL
20	INSWING THRESHOLD (AFCO A-125)	ALUM/WOOD
21	INSWING THRESHOLD (AFCO A-125)	ALUM/COMP
22	INSWING THRESHOLD (AFCO A-276)	ALUM/WOOD
23	INSWING THRESHOLD (AFCO A-280)	ALUM/WOOD
40	DOOR PANEL - SEE DOOR PANEL DETAIL SHEET FOR DETAILS	-
50	SIDELITE PANEL - SEE SIDELITE PANEL DETAIL SHEET FOR DETAILS	-

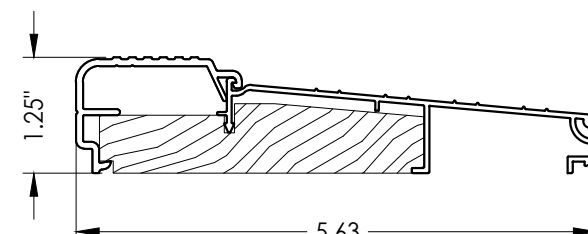
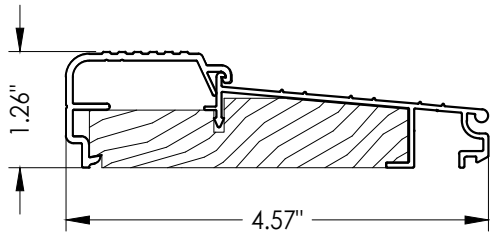
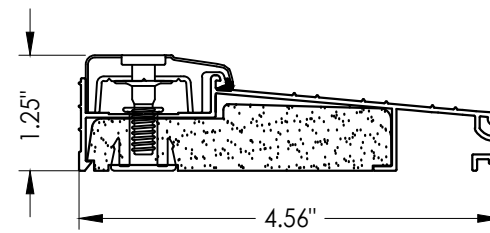
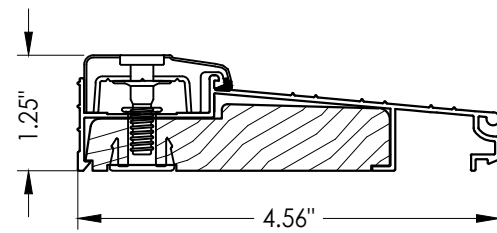
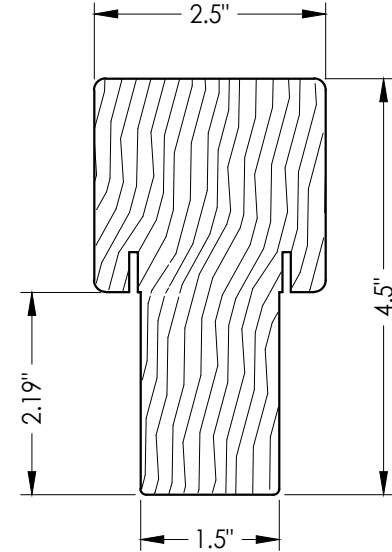
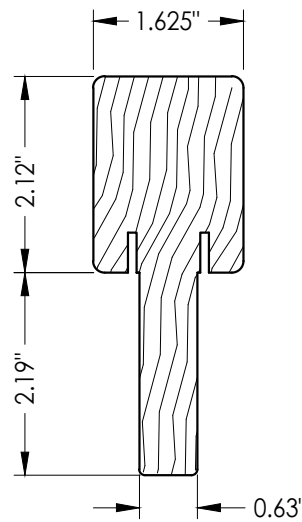
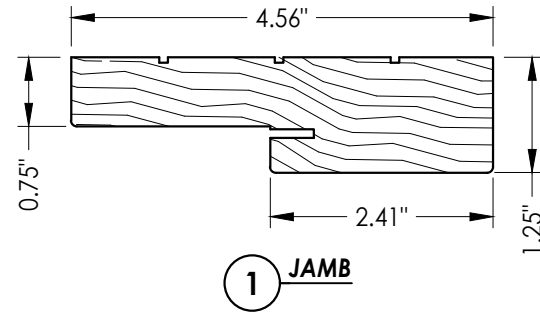
**CONCRETE ANCHOR NOTES:**

- Concrete anchor locations at the corners may be adjusted to maintain the min. edge distance to mortar joints.
- Concrete anchor locations noted as "MAX. ON CENTER" must be adjusted to maintain the min. edge distance to mortar joints, additional concrete anchors may be required to ensure the "MAX. ON CENTER" dimension are not exceeded.
- Concrete anchor table:

ANCHOR TYPE	ANCHOR SIZE	MIN. EMBEDMENT	MIN. CLEARANCE TO MASONRY EDGE	MIN. CLEARANCE TO ADJACENT ANCHOR
ITW BUILDDEX TAPCON®	3/16"	1-1/4"	3"	1-1/2"
	1/4"	1-1/4"	2"	4"
DeWALT ULTRACON®	1/4"	1-1/4"	1"	4"

**WOOD SCREW INSTALLATION NOTES:**

- Maintain a minimum 5/8" edge distance, 1" end distance, & 1" o.c. spacing of wood screws to prevent the splitting of wood.



Documents Prepared By:  
Lyndon F. Schmidt  
P.E. No. 43409

**RW** BUILDING CONSULTANTS, INC.  
P.O. Box 230, Valrico, FL 33595  
Phone No.: 813.659.9197  
FBPE Registry No. 9813

PRODUCT: DOORSCAPES  
FIBERGLASS DOOR

PART OR ASSEMBLY:  
BILL OF MATERIALS  
& COMPONENTS

NO.	DATE	BY	REVISIONS
2	8/01/23	LFS	UPDATE TO 8TH ED. (2023) FBC
1	8/06/20	LFS	UPDATE TO 7TH ED. (2020) FBC

DATE: 1/21/19  
SCALE: N.T.S.  
DWG. BY: MT  
CHK. BY: LFS  
DRAWING NO.: FL-28831.1  
SHEET 12 OF 12